

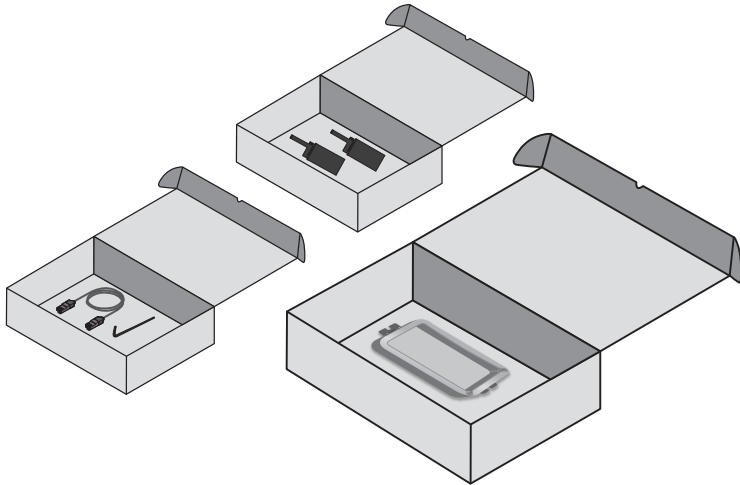
• Side Boxes

There are three small boxes, in your printer package, with the following contents:

PANEL: 2 Print Screens wrapped in protective packaging

CABLE: 1 Ethernet Cable, 1 Hex Key (Allen wrench)

VAT: The other Vat is already installed



VeriBuild LCD 3D Printer

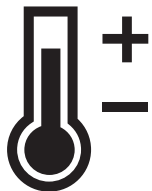
Quick Start Guide



• Environment

Operate your VeriBuild 79200 in a temperature-controlled room, between 18°-25° C (64°-77° F).

Whip Mix also recommends using UV-filtered LED lights in your workspace for both printing and cleaning.



18°-25° C



www.whipmix.com

■ Package Contents



Build Platform



Ethernet Cable



Vat Film Sheets (×2)



VeriBuild 79200



Vat (×2)



Wi-Fi Dongle



Print Screens (×2)



Hex Key

■ Product Specifications

3D Print Technology	LCD
Machine Size	25 × 22.5 × 37 cm
Weight	10.1 kg
Print Size	118 × 65 × 140 mm
XY Resolution	47 μm
Slice Thickness	50 - 100 μm
Resin Wavelength	385~405 nm
Power Supply	110-240V AC, 50-60Hz

■ Setup Guide

• Software

Download and install the Alpha 3D software from the Whip Mix website:
<https://www.whipmix.com>



• Unboxing

1. Lift the printer out by the handles.
2. Remove the Vat Film from the Hood. Put the film in a safe place.
3. Lift the printer by the base to take it out of its internal package.

