

# Hanau™ Earpiece Facebow for use on Hanau™ Wide-Vue

## FOR USE WITH ITEM:

#008824-000 with Bitefork

## ITEM:

#010882-000

#010885-000

#010889-000

#010898-000

## FACEBOW APPLICATION

1. The biteplane is covered with wax or compound of a thickness suitable for obtaining an occlusal imprint of the maxillary arch.
2. The softened impression material on the biteplane is seated against the maxillary occlusal surface to create a distinct imprint without metal contact. NOTE: The stem of the biteplane must extend approximately parallel to the sagittal plane and be at the left side of the patient, Figure 1.

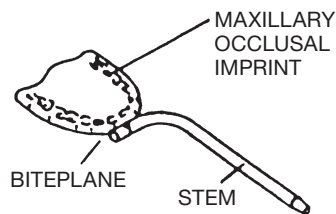


FIGURE 1

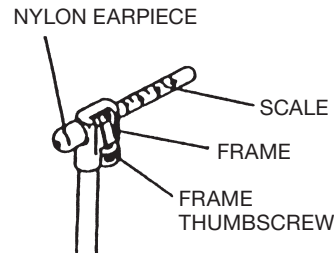


FIGURE 2

3. Slightly unturn the two frame thumbscrews and slide the scales outward to abut the nylon earpieces with the frames, Figure 2. The nylon earpieces are threaded onto the scales and may be removed for cold sterilization.
4. The facebow is then brought gently over the patient with the stem of the biteplane entering the loose bite clamp, Figure 3.

Hold both frame thumbscrews between the thumbs and middle fingers. Place the forefingers on the ends of the scales and slide the scales to enter the nylon earpieces in the meatus of the ear.

Simultaneously slide the frames laterally to symmetrically adjust the calibrated scales while maintaining a comfortable, yet secure suspension of the nylon earpieces in the meatus. Tighten both frame thumbscrews to maintain this symmetry of suspension.

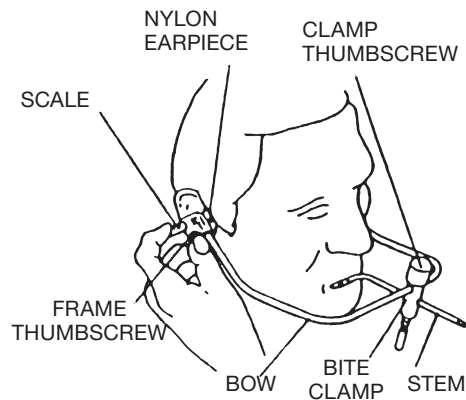


FIGURE 3

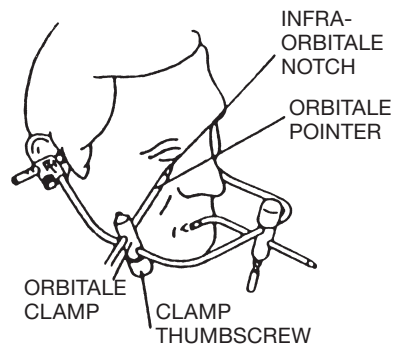


FIGURE 4

5. Grasp the frontal portion of the facebow and tighten the clamp thumbscrew securely to lock the bow to biteplane relation.
6. The orbitale pointer is inserted into the orbitale clamp at side of facebow, and it is then aligned with the infra-orbitale notch on the patient – tightening the clamp thumbscrew to maintain this alignment, Figure 4.

7. Loosen the two frame thumbscrews and completely release the earpieces from the meatus.  
Direct the patient to open and withdraw the occlusal indexed biteplane/facebow assembly.

### ARTICULATOR PREPARATION

8. Prepare the articulator for facebow transfer as outlined in the Articulator Instruction Manual.

### FACEBOW TRANSFER

9. Attach the earpiece facebow assembly to the articulator by adjusting the scales symmetrically to 8.5 cm and suspending the nylon earpieces over the auditory pins, Figure 5.

The auditory pins are 12 millimeter posterior to the condyle center of the articulator and simulate the patient's meatus.

10. Figure 5. Raise or lower the occlusal imprint on the biteplane by adjusting the elevating screw. Visually align the orbitale pointer with the underside of the orbitale indicator on articulator.

11. The biteplane index must be supported to carry the additional weight of the maxillary cast during mounting.

An accessory Hanau™ Cast Support is illustrated in Figure 5 and is a worthy adjunct for satisfactorily bearing the added weight of the maxillary.

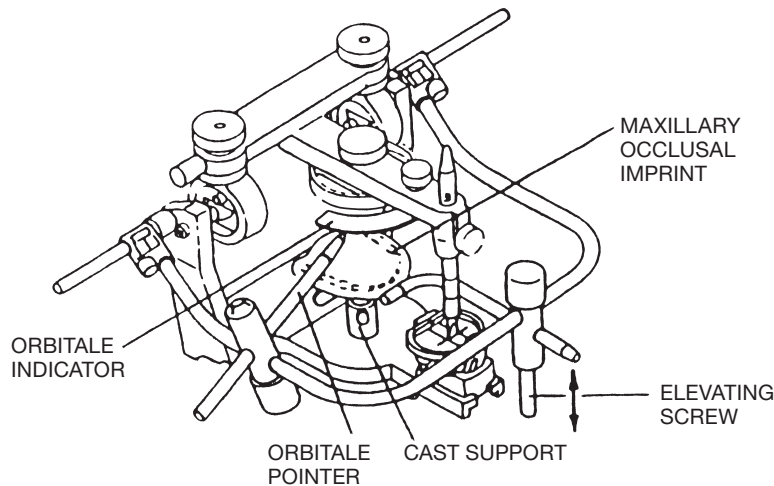


FIGURE 5

12. Securely seat and accurately lute the maxillary cast into the occlusal index of the supported biteplane.
13. A mixture of stone is placed on the wetted mounting surface of the cast. The upper member is then swung forward to embed the mounting plate and bring the incisal pin into contact with the incisal guide.

The mounting is completed with a wet finger to expose the top surface of the mounting plate. This permits convenient removal and accurate reattachment of the cast to the articulator.

14. Upon complete set of the mounting, the luting is removed from the cast and the facebow assembly is removed from the articulator.

15. The mandibular cast is then mounted into centric occlusion.

The Hanau™ Earpiece Facebow transfer of the patient's record to the articulator is now complete.



RESTORATIVE ORAL HEALTH  
Whip Mix Corporation  
361 Farmington Avenue  
Louisville, KY USA 40209  
Toll-Free: 800-626-5651  
Fax: 502-634-4512  
www.whipmix.com

Whip Mix® and logo are registered  
trademarks and Hanau™ is a trademark of  
Whip Mix Corporation.  
© 2016 Whip Mix Corporation  
Made in U.S.A.

FN 347389-F AC R1116