

# SUPERIOR DESIGN IS THE DENAR® LEGACY.

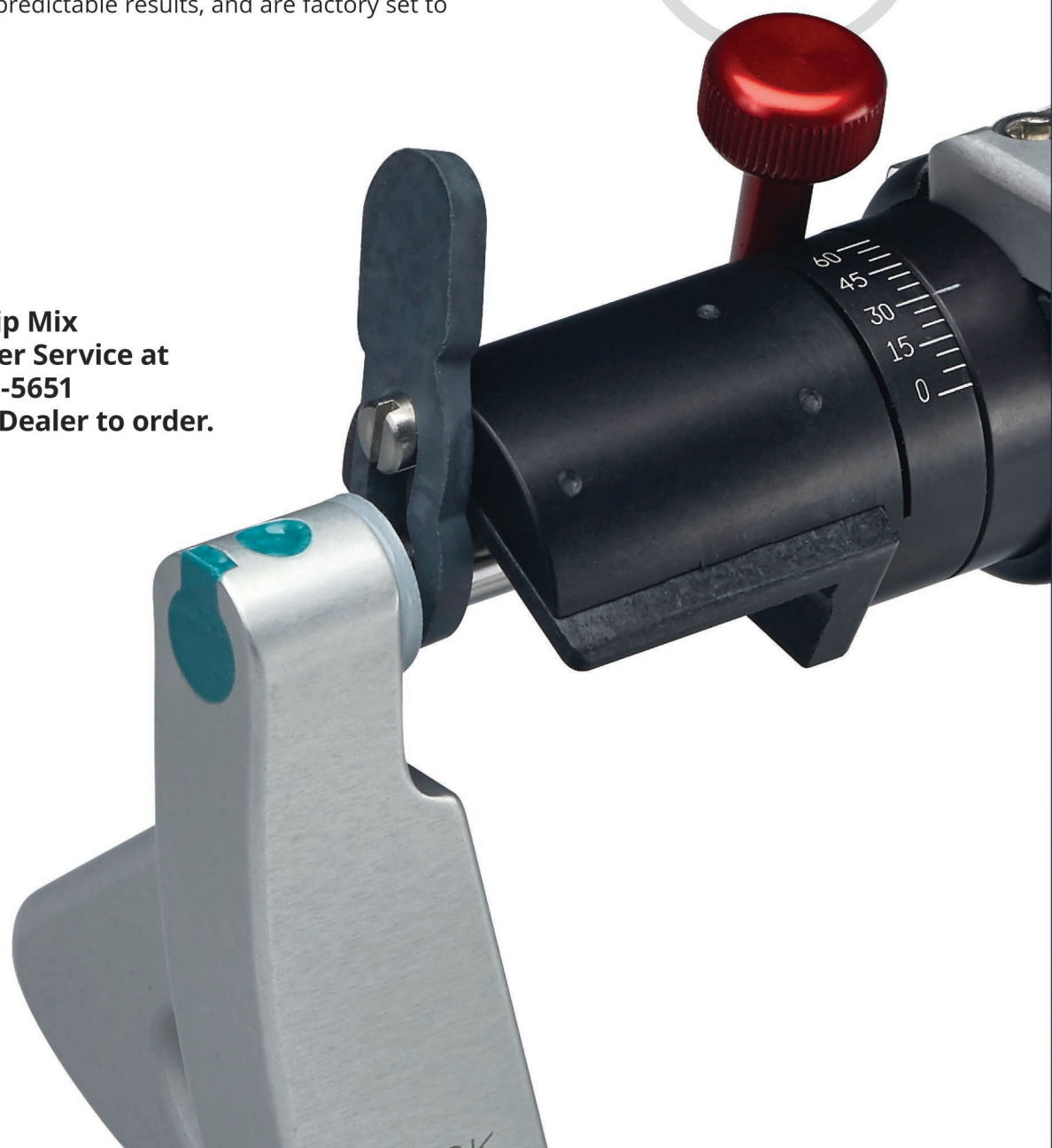
The Denar® brand has long been known for its comprehensive systems and strong engineering base. Denar® brings occlusion products to market that accurately simulate the human anatomy, and provides instruments for dentists to create total harmony of the teeth and temporomandibular joints.

Building on this foundation, Denar® is now introducing the next generation of articulators, the Mark 300 Series. This series enhances the field of articulators as we know them — they're easier to use, have a new sleek design, ensure predictable results, and are factory set to unsurpassed accuracy.

Proudly made in the USA.



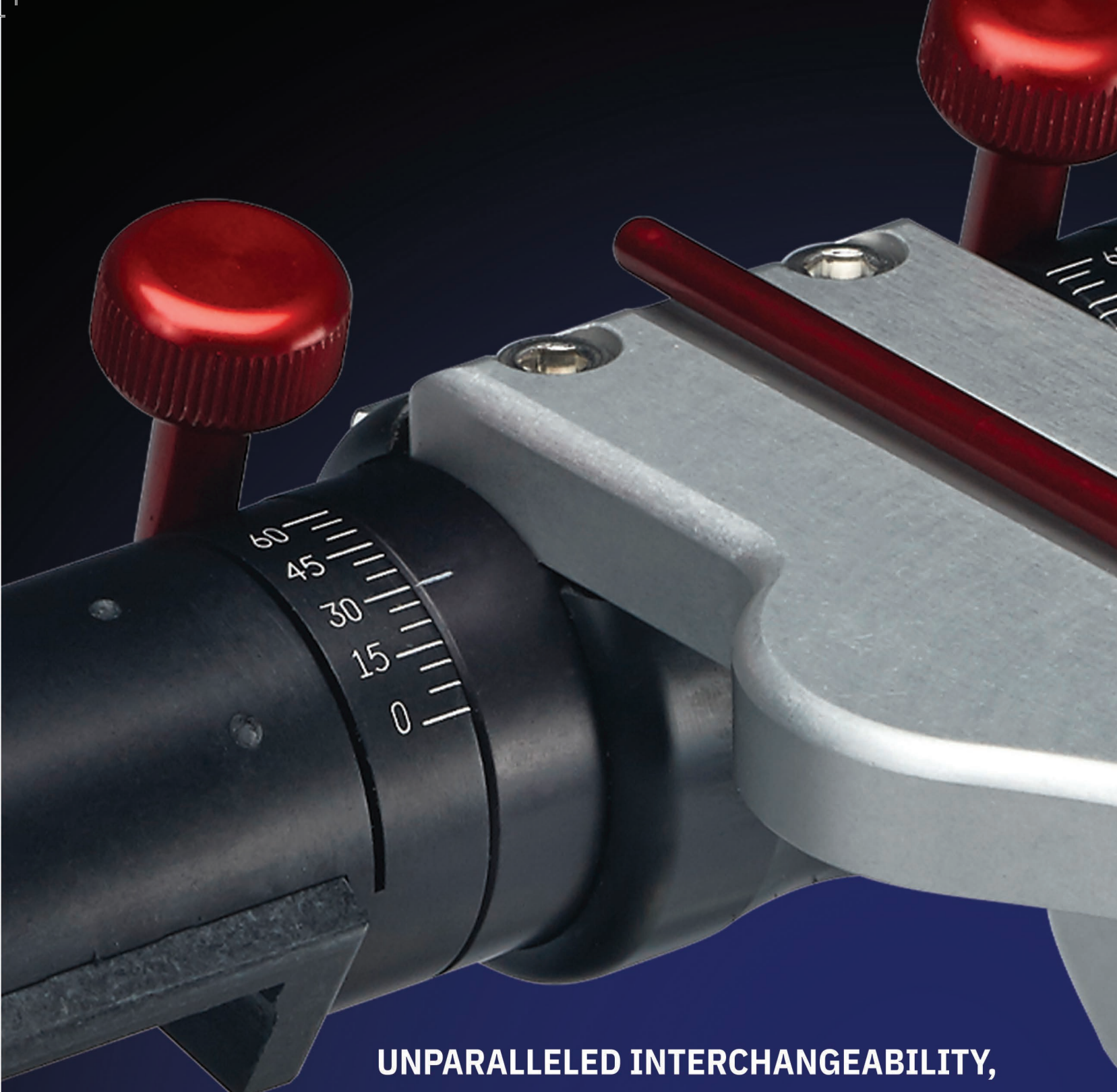
Call Whip Mix  
Customer Service at  
800-626-5651  
or your Dealer to order.



# THE MARK 300 SERIES

Whip Mix articulators with unmatched precision and interchangeable design.





## UNPARALLELED INTERCHANGEABILITY, ACCURACY AND DESIGN.

The Mark 300 Series of articulators improves the field of articulators as we know it. The ergonomic design gives the instruments a sleek, modern design that will fit in any office or lab. It's form that fully follows its function. It allows the instrument to tilt back at a 45° angle so you may view the casts without picking up the articulators. All visual adjustments are now on the front of the instrument, making it easy to monitor current settings. All adjustments are made secure by finger screws, with no additional tools needed.

# A NEW STANDARD OF INTERCHANGEABILITY! ACCURACY WITHIN 20 MICRONS!

## Denar® Mark 300 Series Articulators

Like all Denar® products, these articulators are engineered for superior performance and tested thoroughly based on proven methodology. They bring a new level of interchangeability to the articulator market and offer a range of features to suit the needs of any office. All Mark 300 Series articulators offer the following design and quality features:

- ✓ Interchangeability among any of the instruments in the 300 Series, factory set to within 20 microns of accuracy
- ✓ Tilts back at a 45° angle, allowing a hands free view of the cast
- ✓ Has a built-in support pin that allows the upper member to stand completely open while the articulator is sitting flat
- ✓ Has a positive centric latch which allows the upper and lower members to be separated or positively locked together
- ✓ New magnetic mounting system offers three points of contact to ensure stability and improve accuracy
- ✓ Compatible with the Denar® Slidematic Facebow
- ✓ Lingual access is unobstructed
- ✓ **Fresh anodized surface finish for enhanced protection, increased durability, and scratch-resistant properties.**



**Mark 330 Anodized Articulator**  
SEMI-ADJUSTABLE

- ✓ Adjustable Condylar Inclination: 0°–60°
- ✓ Adjustable Immediate Side Shift: 2mm
- ✓ Adjustable Progressive Side Shift: 0°–15°

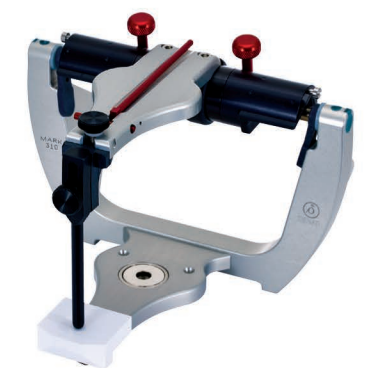
Item# 20011408



**Mark 320 Anodized Articulator**  
SEMI-ADJUSTABLE WITH  
FIXED PROGRESSIVE

- ✓ Adjustable Condylar Inclination: 0°–60°
- ✓ Progressive Side Shift: Fixed at 15°

Item# 20011378



**Mark 310 Anodized Articulator**  
FIXED SETTINGS

- ✓ Condylar Inclination: Fixed at 25°
- ✓ Progressive Side Shift: Fixed at 15°

Item# 20011377