

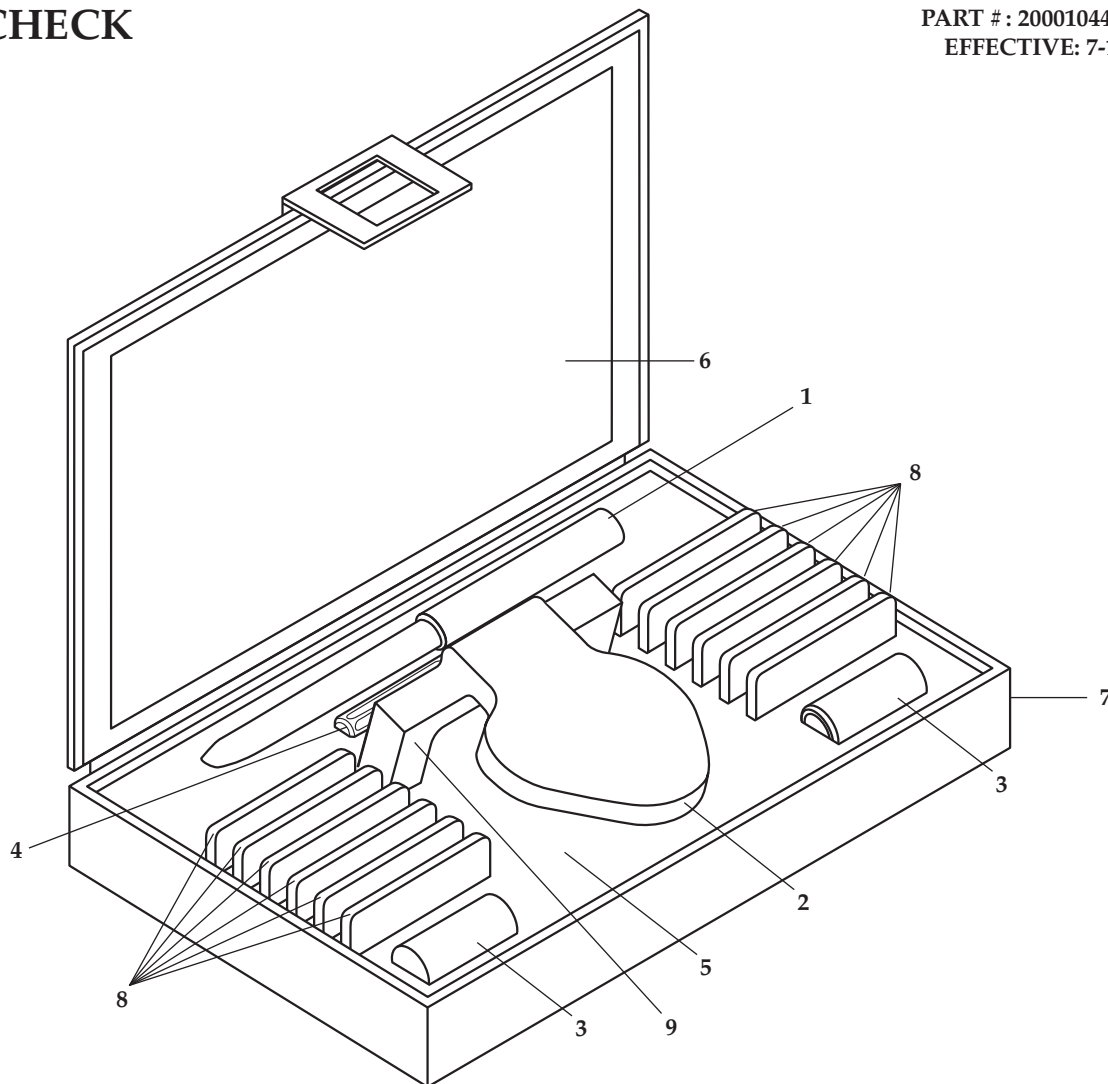
# DENAR® PARTS LIST

## CENTRI CHECK

180036

PART #: 20001044AA

EFFECTIVE: 7-1-09



Key #	Part #	Description
	180045	Replacement Recording Flags (10 Pair)
1	180044	Pen
2		Upper Bow
3	180032	Stylus
4	3261-4	Allen Wrench

Key #	Part #	Description
5		Foam Insert
6	8570	Instructions
7	36060-4	Case
8		Recording Flags (6 Pair)
9	3033	Screws



RESTORATIVE ORAL HEALTH

Whip Mix Corporation  
 361 Farmington Avenue  
 Louisville, KY USA 40209  
 Toll-Free: 800-626-5651  
 Fax: 502-634-4512  
 www.whipmix.com