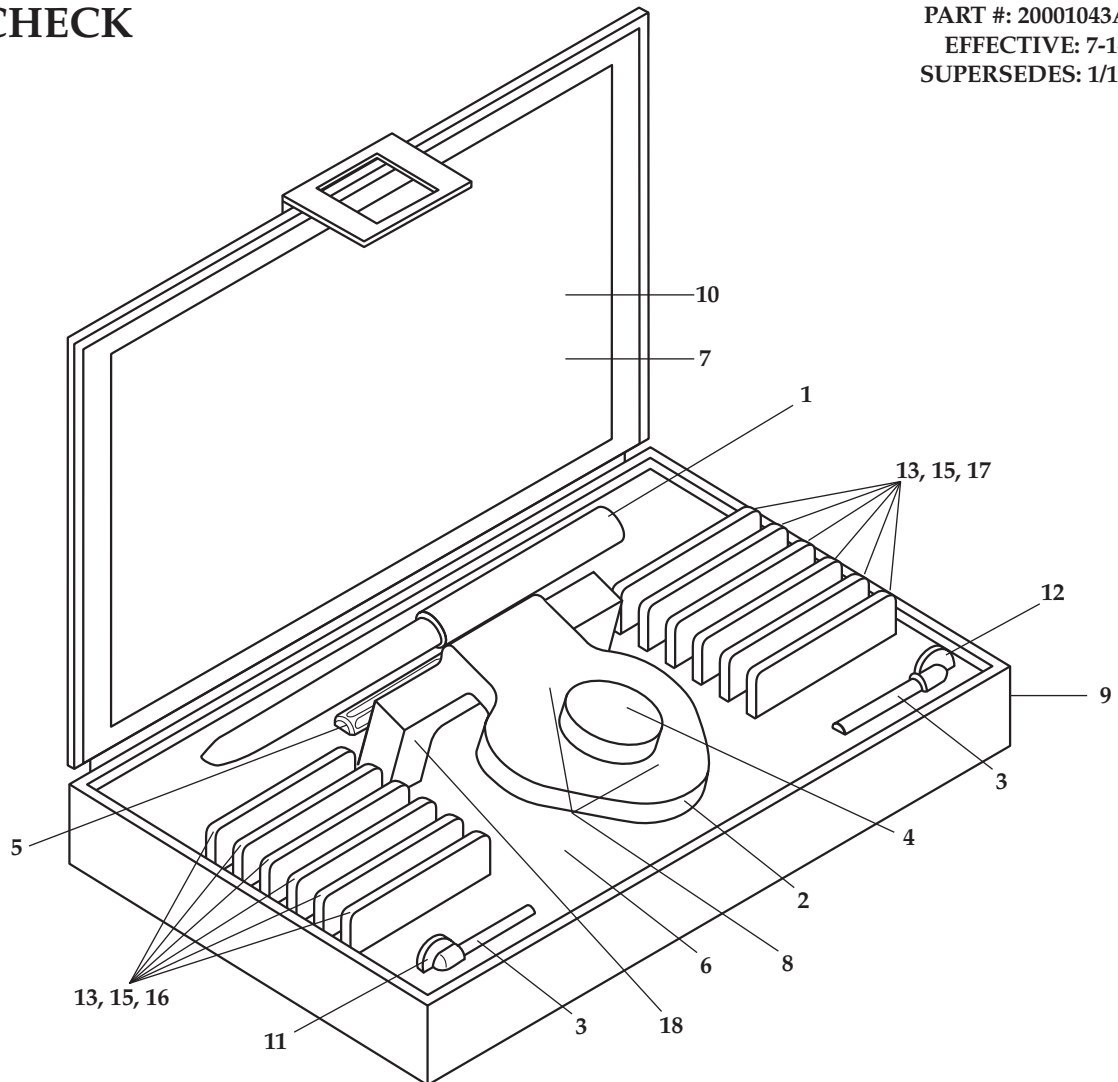


# DENAR® PARTS LIST

**CENTRI CHECK**  
180035

PART #: 20001043AA  
EFFECTIVE: 7-1-08  
SUPERSEDES: 1/1/07



Key #	Part #	Description
1	180044	Pen
2		Upper Bow
3		Stylus
4	110083	Thumbscrew
5	3261-4	Allen Wrench
6		Foam Insert
7	8570	Instructions
8		Dowels
9	36060-4	Case

Key #	Part #	Description
10		Sheet, Parts List
11		Flag
12		Flag
13		Button Insert
14		Molded Insert
15		Molded Insert
16		Label
17		Label
18	3033	Screws



RESTORATIVE ORAL HEALTH  
Whip Mix Corporation - West  
1730 East Prospect Rd., Suite 101  
Fort Collins, CO 80525  
Toll-Free: 800-201-7286  
Fax: 970-472-1793  
www.whipmix.com

