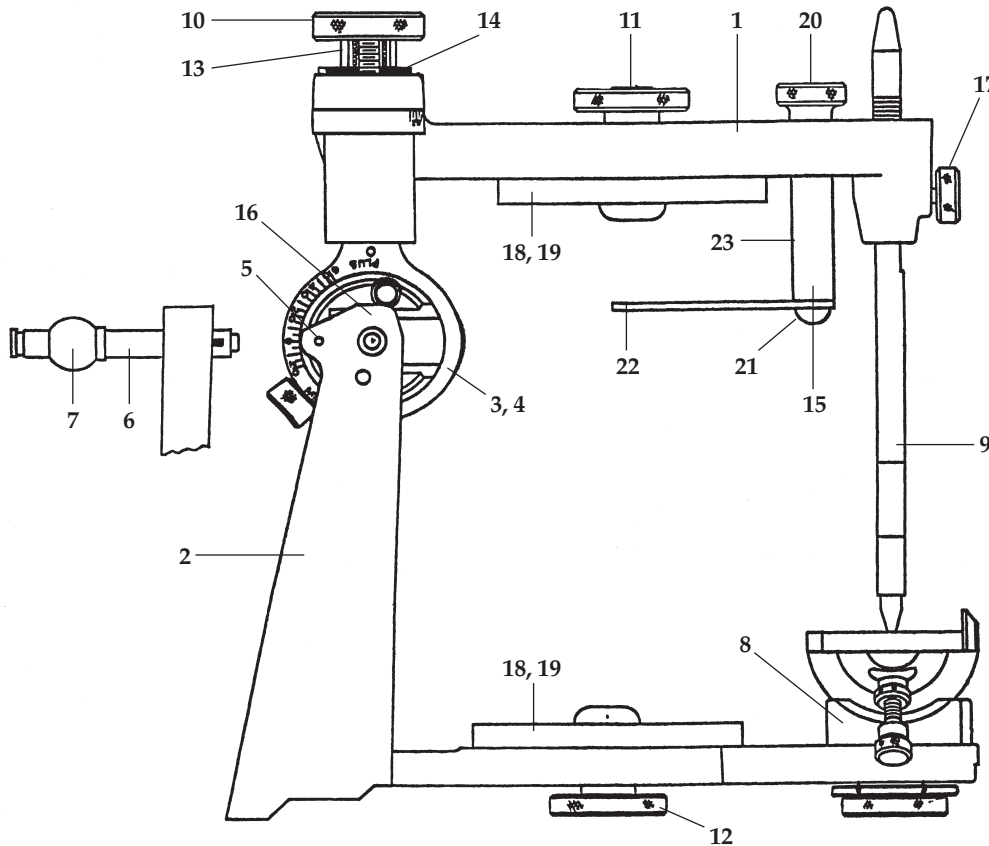


HANAU™ PARTS LIST

MAXILLO FACIAL ARTICULATOR

010882-000
366854

PART #: 20000643AA
EFFECTIVE: 7-1-08
SUPERSEDES: 1-1-07



Key #	Part #	Description
1		Upper Member*
2		Lower Member*
3		Condylar Guide (Right)
4		Condylar Guide (Left)
5		Spring Pin*
6		Condyle Shaft
7	009577-000	Condyle Element
8	010731-000	Adjustable Incisal Guide
9	010743-000	Incisal Guide Pin
10	009535-000	Thumbnut
11	009579-000	Thumbscrew
12	010079-000	Thumbscrew

Key #	Part #	Description
13	005115-000	Spring
14	010782-000	Swing Stop
15	003426-000	Maxillary Orbital Indicator Assembly (20-23)
16	008681-000	Set Screw
17	005182-000	Thumbscrew
18		Pin* (4)
19	005057-000	Mounting Plate Pair
20	005190-000	Thumbnut
21	008616-000	Screw
22	005255-000	Orbitale Gauge
23	003391-000	Stud

*Factory Repair Required



RESTORATIVE ORAL HEALTH
Whip Mix Corporation - West
1730 East Prospect Rd., Suite 101
Fort Collins, CO 80525
Toll-Free: 800-201-7286
Fax: 970-472-1793
www.whipmix.com

