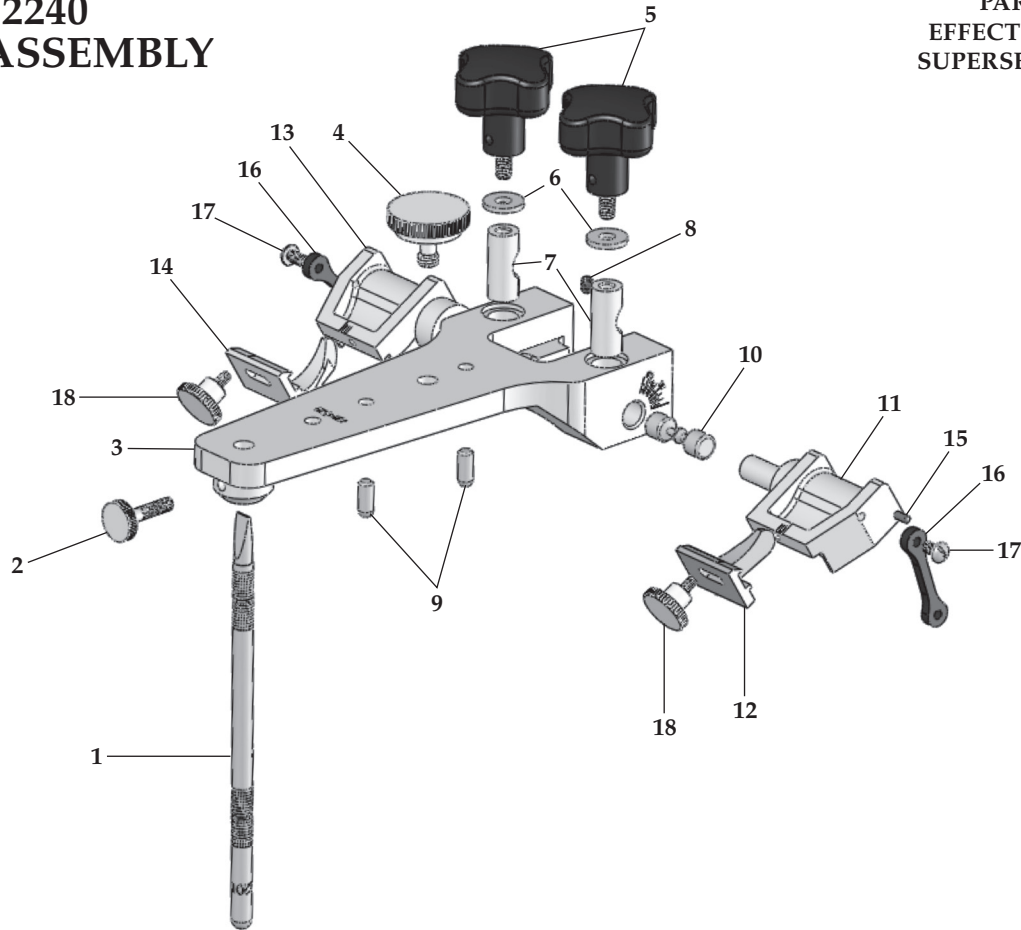


# WHIP MIX<sup>®</sup> PARTS LIST

**MODEL 2240**  
**UPPER ASSEMBLY**  
 02267

PART #: MPL2240  
 EFFECTIVE: 12/1/2016  
 SUPERSEDES: 5/1/2013

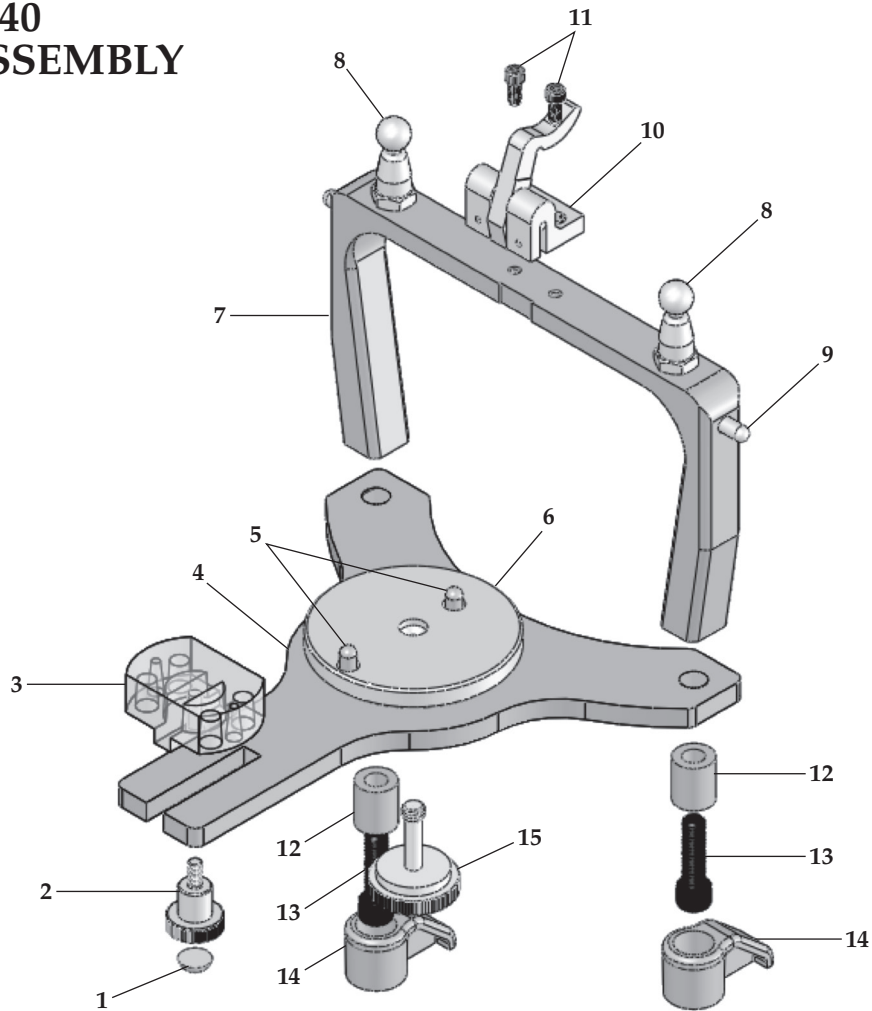


| Key #   | Item # | Description                      |
|---------|--------|----------------------------------|
| 1       | 01740  | Incisal Pin                      |
| 2       | 04022  | Incisal Pin Screw                |
| 3       |        | Top Plate*                       |
| 4       | 34332  | Mounting Plate Screw and Knob SS |
| 5, 6, 7 | 24643  | Condylar Guide Clamp Assembly    |
| 5       | 24644  | Clamp Screw                      |
| 6       |        | Washer, Brass                    |
| 7       |        | Pull Clamp                       |
| 8       |        | Screw, Hex Head (VMI)*           |
| 9       |        | Pin* (2)                         |

| Key # | Item # | Description                         |
|-------|--------|-------------------------------------|
| 10    |        | Centering Pin* (2)                  |
| 11    |        | Condylar Guide (Left)*              |
| 12    |        | Side Shift (Left)*                  |
| 13    |        | Condylar Guide (Right)*             |
| 14    |        | Side Shift (Right)*                 |
| 15    |        | Mounting Pin* (2)                   |
| 16    | 03344  | Strap (2)                           |
| 17    | 06297  | Screw, Round Head Slotted (VMI) (2) |
| 18    | 17507  | Side Shift Clamp Screw (2)          |

\* Factory Repair Required

# MODEL 2240 LOWER ASSEMBLY



| Key # | Item # | Description            |
|-------|--------|------------------------|
| 1     | 04220  | Foot Bumper            |
| 2     | 04243  | Incisal Block Screw    |
| 3     | 04235  | Incisal Block          |
| 4     |        | Bottom Plate*          |
| 5     |        | Pin* (2)               |
| 6     |        | Mounting Table (Long)* |
| 7     |        | Upright*               |
| 8     |        | Condyle Element* (2)   |

| Key # | Item # | Description                      |
|-------|--------|----------------------------------|
| 9     |        | Pin for Elastic Straps* (2)      |
| 10    |        | Latch Assembly*                  |
| 11    | 04049  | Screw (VMI) (2)                  |
| 12    | 03964  | Leg (2)                          |
| 13    | 03972  | Leg Screw (2)                    |
| 14    | 24741  | Articulator Foot                 |
| 15    | 34330  | Mounting Plate Screw and Knob SS |

\* Factory Repair Required



RESTORATIVE ORAL HEALTH  
Whip Mix Corporation  
361 Farmington Avenue  
Louisville, KY USA 40209  
Toll-Free: 800-626-5651  
Fax: 502-634-4512  
www.whipmix.com