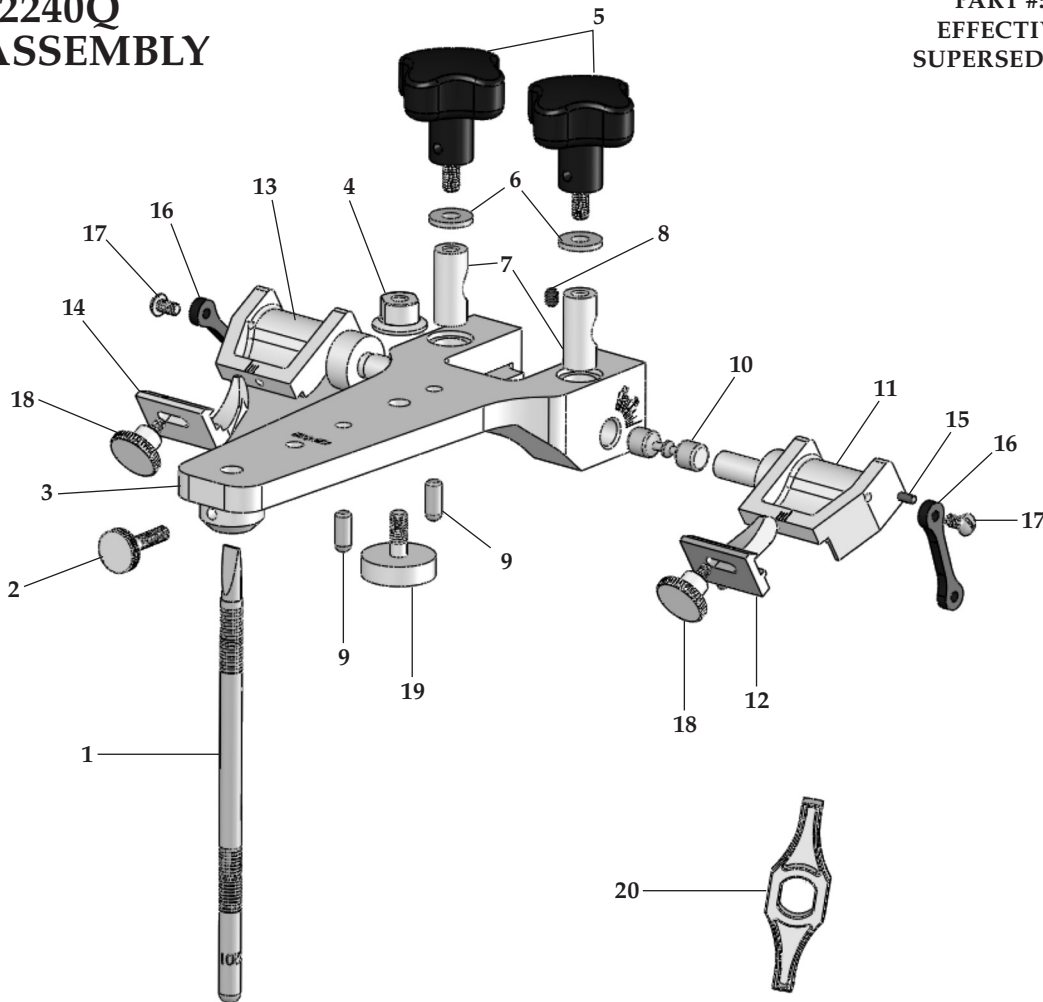


WHIP MIX[®] PARTS LIST

MODEL 2240Q
UPPER ASSEMBLY
 34219

PART #: MPL2240Q
 EFFECTIVE: 5/1/2013
 SUPERSEDES: 4/1/2013

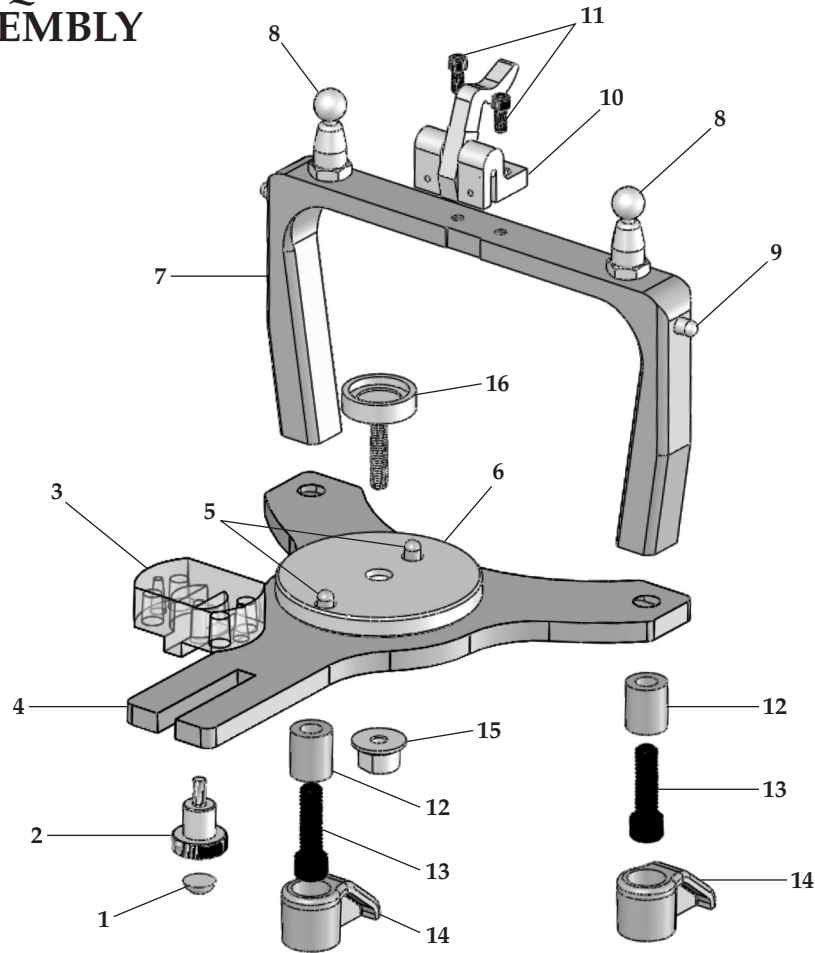


Key #	Item #	Description
1	01740	Incisal Pin
2	04022	Incisal Pin Screw
3		Top Plate*
4, 19, 20	28703	Quickmount Plate Holder 13mm
4		Nut
5, 6, 7	24643	Condylar Guide Clamp Assembly
5	24644	Clamp Screw
6		Washer, Brass
7		Pull Clamp
8		Screw, Hex Head (VMI)*
9		Pin* (2)

Key #	Item #	Description
10		Centering Pin* (2)
11		Condylar Guide (Left)*
12		Side Shift (Left)*
13		Condylar Guide (Right)*
14		Side Shift (Right)*
15		Mounting Pin* (2)
16	03344	Strap (2)
17	06297	Screw, Round Head Slotted (VMI) (2)
18	17507	Side Shift Clamp Screw (2)
19		Holder 13mm
20		Wrench

* Factory Repair Required

MODEL 2240Q LOWER ASSEMBLY



Key #	Item #	Description
1	04220	Foot Bumper
2	04243	Incisal Block Screw
3	04235	Incisal Block
4		Bottom Plate*
5		Pin* (2)
6		Mounting Table (Long)*
7		Upright*
8		Condyle Element* (2)
9		Pin for Elastic Straps* (2)

Key #	Item #	Description
10		Latch Assembly*
11	04049	Screw (VMI) (2)
12	03964	Leg (2)
13	03972	Leg Screw (2)
14	24741	Articulator Foot
15, 16	28704	Quickmount Plate Holder 25mm
15		Nut
16		Holder 25mm

* Factory Repair Required



RESTORATIVE ORAL HEALTH
Whip Mix Corporation
361 Farmington Avenue
Louisville, KY USA 40209
Toll-Free: 800-626-5651
Fax: 502-634-4512
www.whipmix.com