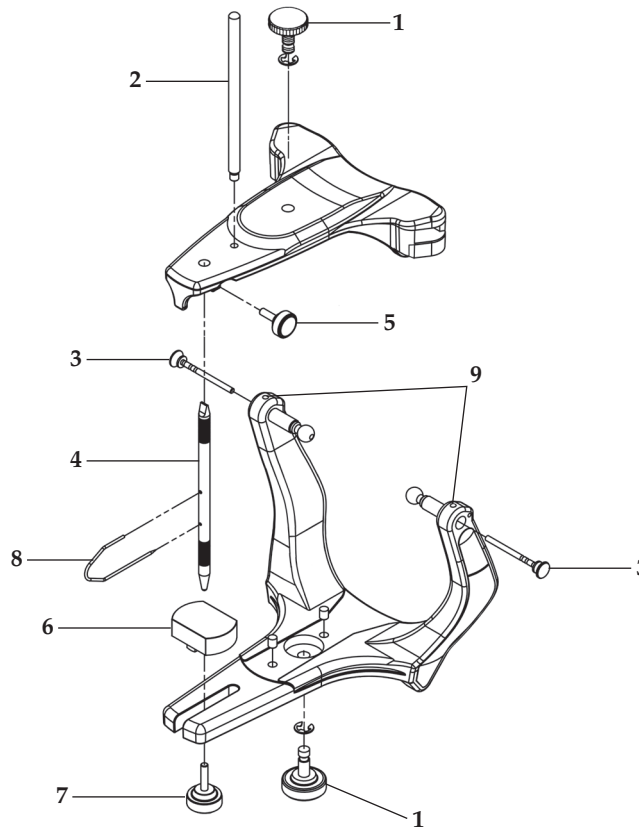


HANAU™ PARTS LIST

ULTI-MATE™ ASSEMBLY

PART #: 20011211
EFFECTIVE: 3/1/2018
SUPERSEDES: 6/1/2008



Key #	Part #	Description
	20011209	Articulator Assembly
1	20011274	Mounting Plate Knob
2	20011275	Extension Pin
3	20011276	Centric Lock Pin
4	20011277	Incisal Pin with Hole
5	20011278	Incisal Pin Screw

Key #	Part #	Description
6	20011279	Incisal Guide Table
7	20011280	Incisal Table Knob
8	20011281	Pointer of the Occlusal Plane
9	20011282	Locking Allen Screw M4 (.7mm pitch) x 5mm lg.
Not Shown	20011283	Allen Wrench 2mm



RESTORATIVE ORAL HEALTH
Whip Mix Corporation
361 Farmington Avenue
Louisville, KY USA 40209
Toll-Free: 800-626-5651
Fax: 502-634-4512
www.whipmix.com