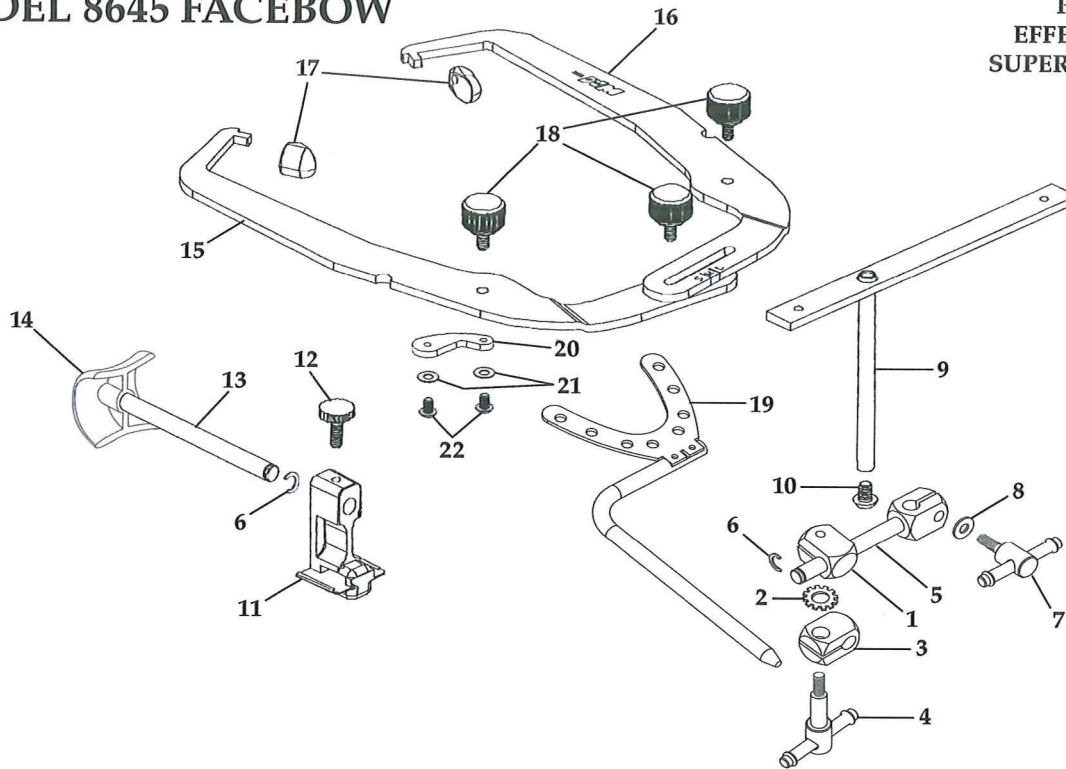


WHIP MIX® PARTS LIST

MODEL 8645 FACEBOW
15911

PART #: MPL8645
EFFECTIVE: 12-1-2016
SUPERSEDES: 10-1-2012



Key #	Item #	Description
1, 2, 3, 4	15954	Toggle Assembly
1	15997	Toggle Clamp
2	04561	Lock Washer
3	16004	Half Toggle, Facebow Fork
4	15989	T-Screw for Toggle
5, 6, 7, 8	15946	Horizontal Clamp Rod Assy.
5, 6	16179	Horizontal Clamp Rod with Retaining Ring
5		Horizontal Clamp Rod
6	16489	Retaining Ring
7, 8	16012	T-Screw for Horiz. Clamp Rod with washer
7		T-Screw for Horiz. Clamp Rod
8		Washer, Nylon
9, 10	04456	Cross Bar Assembly
9		Slide Bar Assembly

Key #	Item #	Description
10	04588	Screw
6, 11, 12, 13, 14	04405	Nasion Relator Assembly
11	04413	Nose Piece Upright
12	04407	Screw for Upright Post
6, 13, 14	04421	Nose Piece Shaft Assembly
13		Nose Piece Shaft
14	MA9657	Nose Piece
15		Facebow Right, Anodized*
16		Facebow Left, Anodized*
17	04383	Plastic Ear Piece (2)
18	04391	Facebow Locking Screw (3)
19	04466	Bitefork
20	MA2426	Elastic
21	34360	Washer, Nylon (4)
22		Screw* (2)

* Factory Repair Required



RESTORATIVE ORAL HEALTH
Whip Mix Corporation
361 Farmington Avenue
Louisville, KY USA 40209
Toll-Free: 800-626-5651
Fax: 502-634-4512
www.whipmix.com

