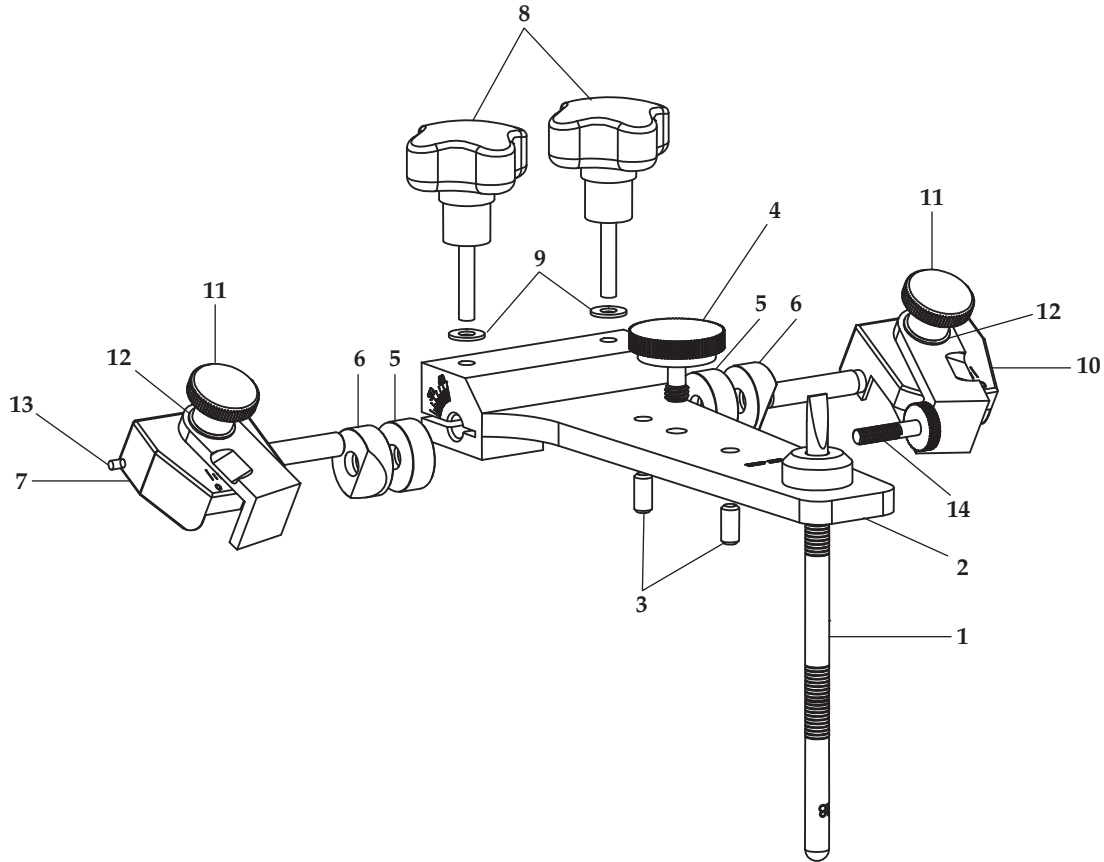


WHIP MIX[®] PARTS LIST

MODEL 8500 UPPER ASSEMBLY

03689
03689-1

PART #: MPL8500
EFFECTIVE: 6/1/2018
SUPERSEDES: 12/1/2016

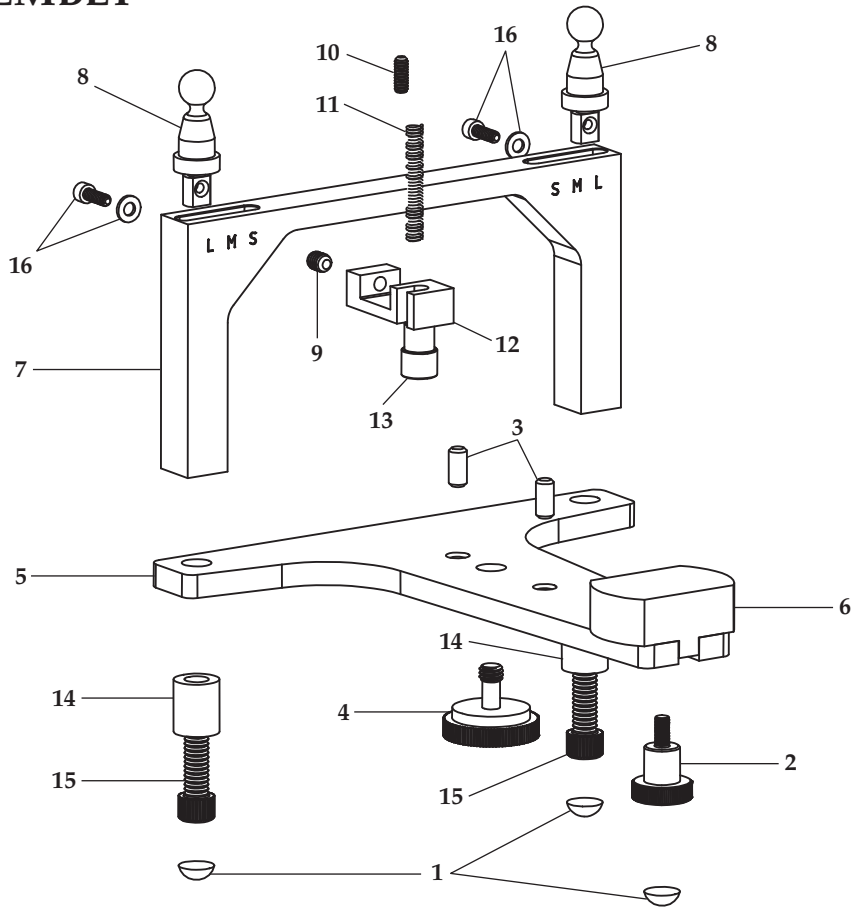


Key #	Item #	Description
1	04251	Incisal Guide Pin
2		Top Plate*
3		Mounting Plate Pin*
4	34332	Mounting Plate Screw and Knob
5		Spacer with O-Ring (2)
6		Spacer with O-Ring (2)
7		Condylar Guide Assembly, Right

Key #	Item #	Description
8	MA8530	Clamp Knob
9	MA2424	Washer, Nylon
10		Condylar Guide Assembly, Left
11	16713	Side Shift Locking Knob (2)
12	04316	Fiber Washer (2)
13		Mounting Pin* (2)
14	04022	Incisal Pin Screw

* Factory Repair Required

MODEL 8500 LOWER ASSEMBLY



Key #	Item #	Description
1	04220	Foot Bumper (3)
2	04243	Incisal Block Screw
3		Mounting Plate Pin*
4	34332	Mounting Plate Screw and Knob
5		Bottom Plate*
6	04235	Incisal Block
7		Upright Blank*
8		Condylar Element* (2)
9	04324	Socket Set Screw

Key #	Item #	Description
10		Socket SSS*
11		Detent Spring*
9, 12	15903	Spring Latch Bracket with Socket Set Screw
12		Spring Latch Bracket
13		Spring Bottom Screw
14	03964	Leg (2)
15	03972	Leg Screw (2)
16	03981	Washer/Screw Set (2)

* Factory Repair Required



RESTORATIVE ORAL HEALTH
Whip Mix Corporation
361 Farmington Avenue
Louisville, KY USA 40209
Toll-Free: 800-626-5651
Fax: 502-634-4512
www.whipmix.com