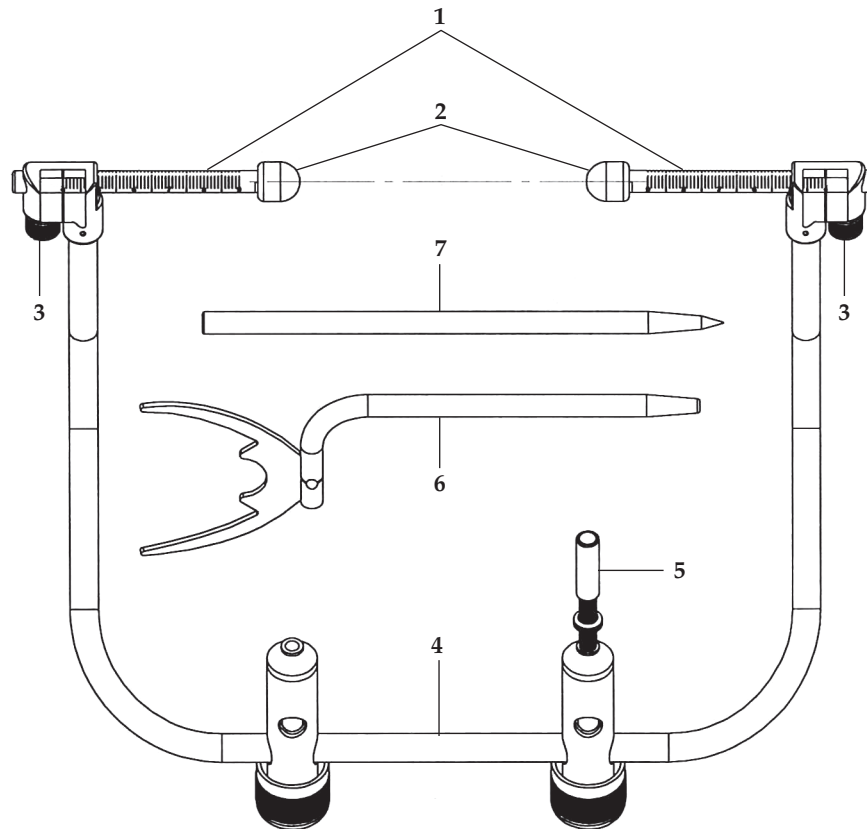


# HANAU™ PARTS LIST

## EARPIECE FACEBOW

008824-000

EFFECTIVE: 11-1-2016



Key #	Part #	Description
1	008910-000	Condylar Rod
2	008915-000	Earpiece
3	005724-000	Thumbscrew
4		Bow Sub-Assembly
5	008920-000	Elevating Screw Sub-Assembly
6	005726-000	Bitefork Assembly
7	005733-000	Orbital Pointer



RESTORATIVE ORAL HEALTH  
 Whip Mix Corporation  
 361 Farmington Avenue  
 Louisville, KY USA 40209  
 Toll-Free: 800-626-5651  
 Fax: 502-634-4512  
 www.whipmix.com



EU Representative  
 Whip Mix Europe GmbH  
 Wißstraße 26-28  
 D-44137 Dortmund, Germany  
 Phone: 49 231 567 70 8-0  
 Fax: 49 231 567 70 8-50  
 U.S. Phone: 1-970-472-1635