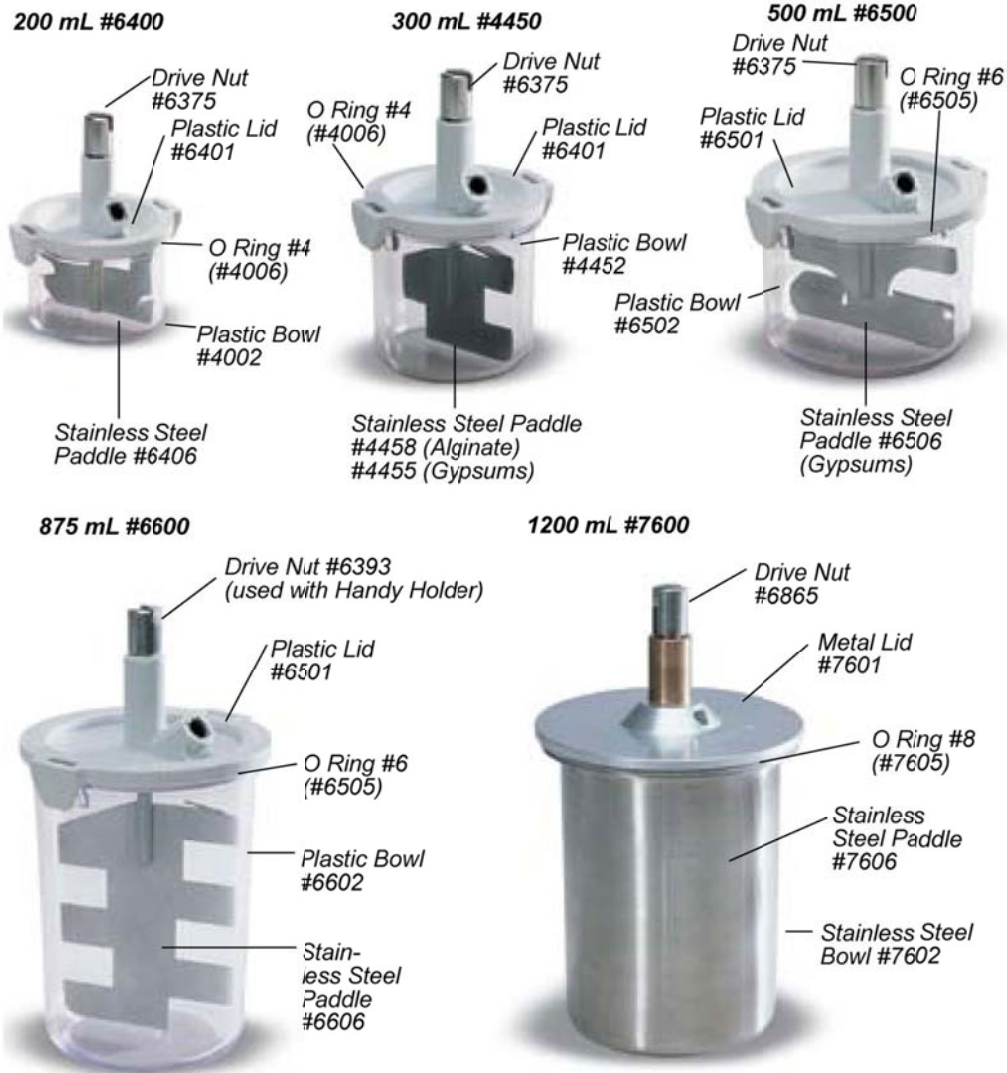


Vac-U- Mixer Replacement Parts



Note: Two O Rings #1 (#4008) are installed on paddle shaft of all sizes except the #7600 which requires O Rings #2 (#5702).

Item No. Description

09091	#6375	Slotted Drive Nut for Operation with Combination Unit or Vacuum Power Mixer – R.H. Thread
09113	#4109	Friction Grip Drive Nut (for 200, 300, and 500 mL Size Only) for Operation with Vac-U-Vester and Combination Unit – L.H. Thread
09105	#6865	Slotted Drive Nut (for 1200 mL Vac-U-Mixer or #6800 Mechanical Mixer) for Operation with Combination Unit or Vacuum Power Mixer – R.H. Thread
15555	#6393	Drive Nut for Operation with Handy-Holder on Combination Unit or Vacuum Power Mixer – R.H. Thread

Plastic Tubing and Connections

09156	#5700	Plastic Tubing, 2-1/4 ft. with Plastic Trap, Trap Cap and O Rings
09172	#5701	Metal Trap Cap with O Rings #1 and #2
09180	#5703	Gauze for Plastic Trap (Pkg. of 6)
09199	#5704	Retainer Spring
09202	#5705	Plastic Trap with Retainer Spring and Gauze
09211	#5709	Plastic Tubing – 5 ft. Length
16721	#5707	Plastic Tubing – 2-1/4 ft. Length
07366	#4008	O Ring #1-5/16" O.D. for Tip of Trap Cap (Pkg. of 6)
07374	#5702	O Ring #2-7/16" O.D. – Fits Inside Trap Cap (Pkg. of 6)

